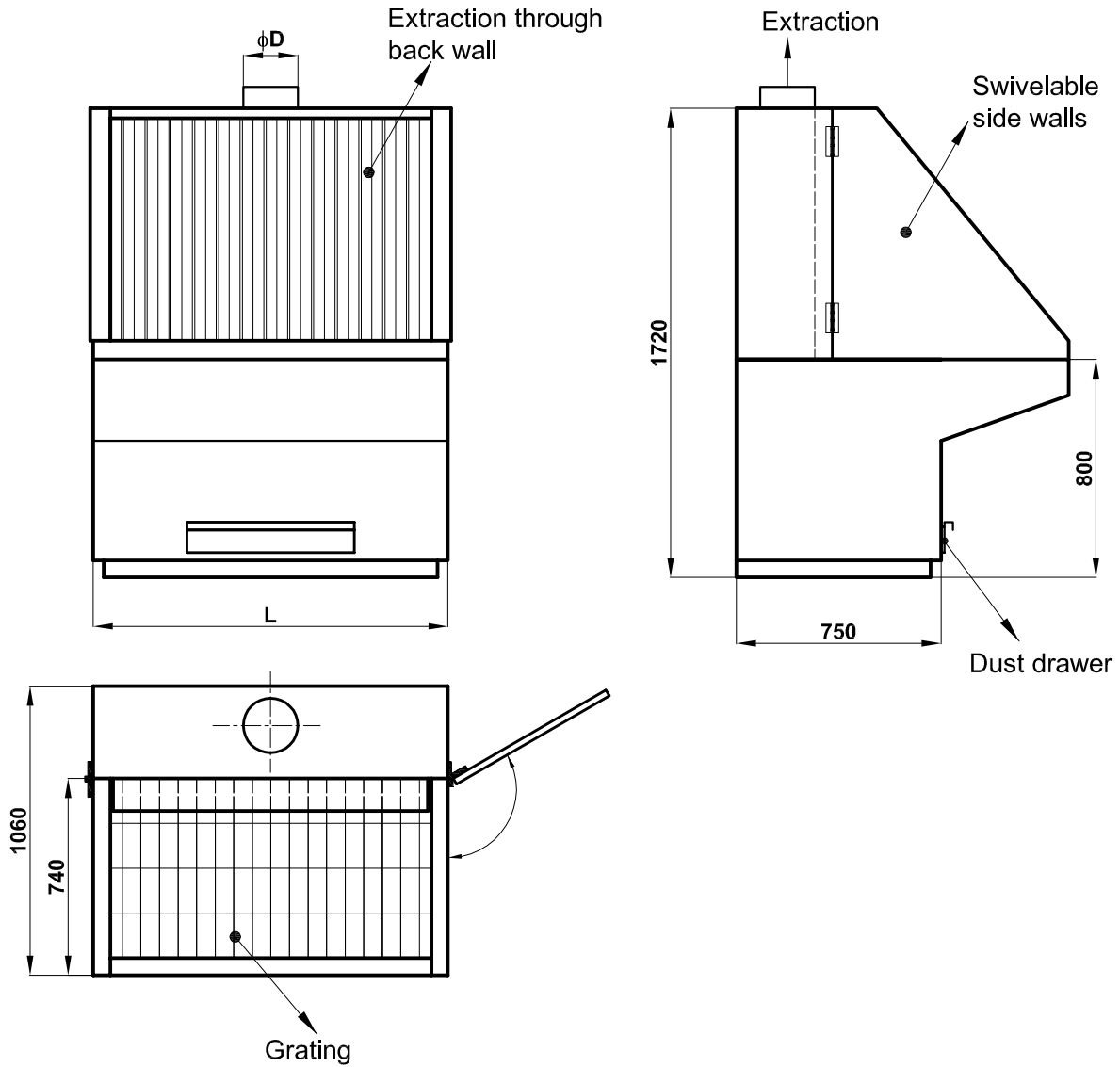


**TECHNICAL SPECIFICATIONS**


- Robust and stable welded construction with electrostatic painting.
- The grating enables the dust to drop down into the dust drawer. Easy removal of dust.
- Easy to work with larger parts due to the swivelable side walls.
- The back wall extraction avoids the particles to bounce back to the operator during grinding.
- Grinding table must be connected to a fan or a filtration or a central extraction system according to the airflow requirements mentioned in the following table.

TYPE	AIR FLOW (m <sup>3</sup> /h)	L (mm)	ØD (mm)	WEIGHT (kg.)
<b>TM-1300</b>	2500	1300	200	246
<b>TM-1650</b>	3200	1650	250	289
<b>TM-2000</b>	4000	2000	250	330

⊗ Ongoing product development may subject the technical specifications to alteration without notice.