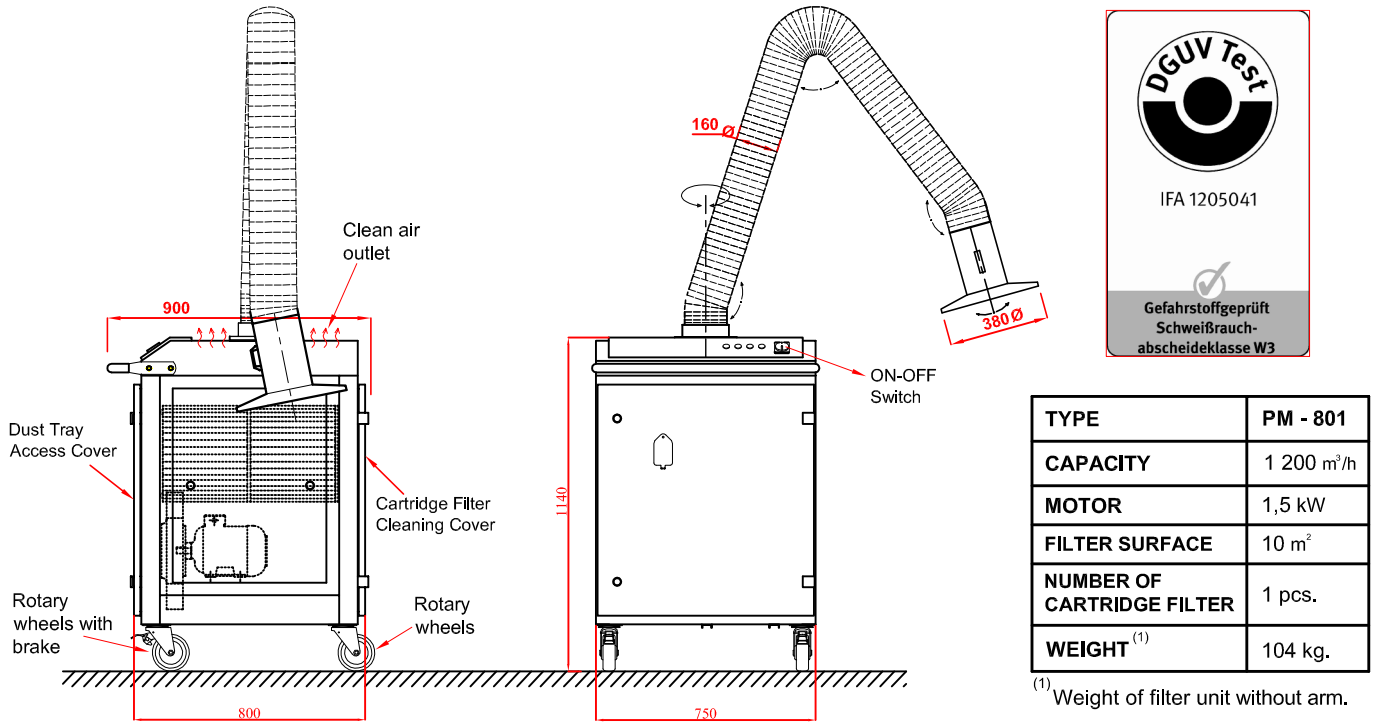


TECHNICAL SPECIFICATIONS



- For industrial use to capture dust and fumes at welding-shops.

- There are two stage filters in PM-801 unit;

First stage filter is metal mesh filter, made of aluminium and it is washable. Hot and coarse dust particles are filtered at this stage. The class of this filter is G3 acc. to DIN EN 779.

The second stage filter is cartridge filter is made of polyester non-woven with PTFE teflon membrane. They arrest 0.2-2 micron particles with %99,9 efficiency. Dust Class M acc. to DIN EN 60335. Easy maintenance with manual filter cleaning. No need to remove cartridge filter for cleaning. Just clean the filter cartridge with an air-gun through the "Cleaning Cover" of the machine.

- Visual warning light is integrated to control panel for monitoring "the pressure loss on the cartridge filter". The light blinks when it is necessary to clean the cartridge filter.

- Control panel is integrated on the filter unit and it is ready to operate. Just plug and play.

The standard PM-801 voltage is 380/400V; ~3P N PE - 50 Hz. 10m. long power cable is standard for PM-801.

Motor protection switch and warning light for faulty operation of motor are integrated on standard PM-801.

- The dust is collected in the dust tray. Dust tray volume: 7 liter.

- Warning light is integrated for monitoring "the rotation direction of fan impeller". The light blinks when the rotation direction is false.

- Static and dynamic balanced impeller. Sound insulated fan chamber ensures a low sound level \approx 69 dB (A).

- PM-801 filter unit is used with an extraction arm. The length of the standard arms can be 2m. - 3m. or 4m. long. The hood of the arm is made of aluminium to provide a long lifetime.

The flexible hose, used on standard arm, is flame retardant acc. to DIN4102-B1 and made of polyurethane. Hose color: RAL3000-Red

- Easy to move from one place to another with its rotating wheels. Two of the wheels have brakes to provide high occupational safety.

- Electrostatic powder painting. Color: Red (RAL 3000) and white (RAL 7035).

- Different color options are available, on request.

⊗ Ongoing product development may subject our specifications to alteration without notice.

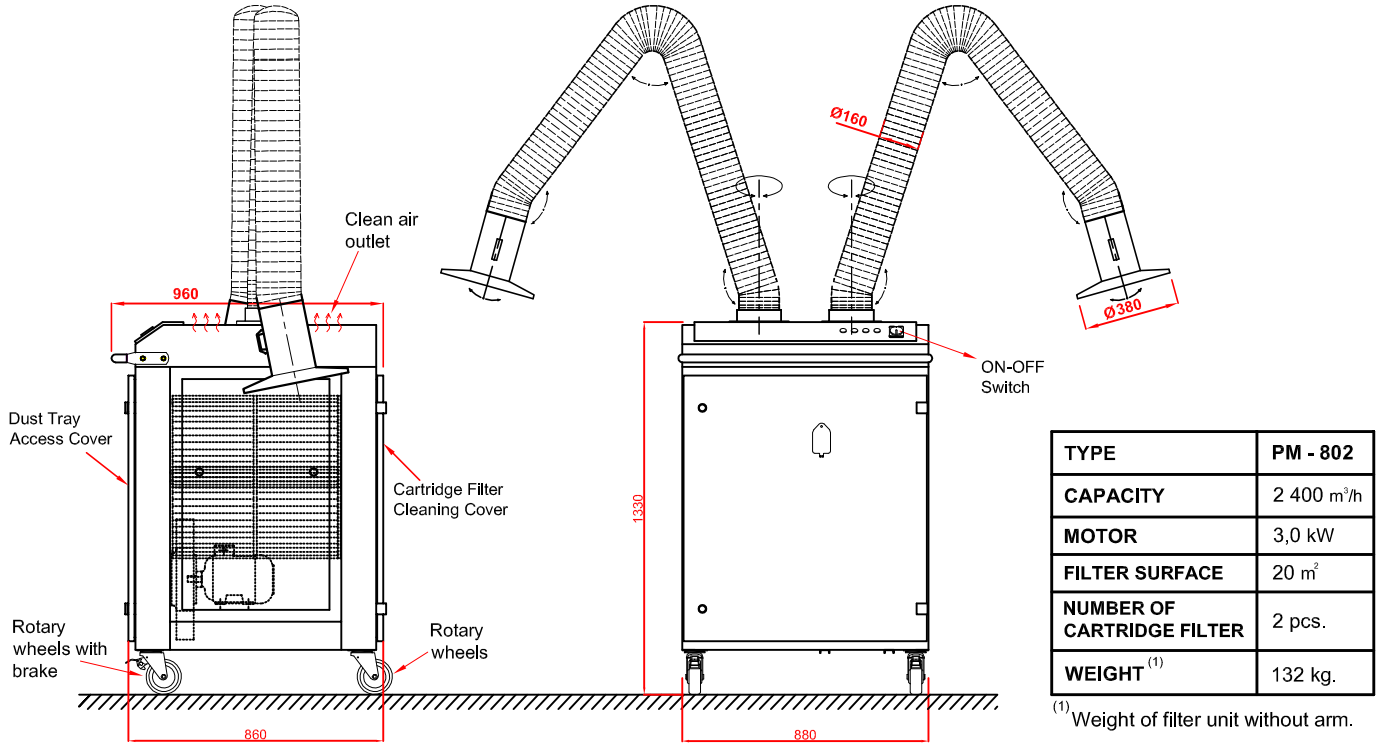
WHAT IS IFA-CERTIFICATION?

IFA is the abbreviation for "Institute for Occupational Health and Safety of the German Social Accident Insurance".

When welding high alloy materials (i.e. stainless steel), highly carcinogenic and harmful substances are set free in the welding fume. If the filter unit has been tested and certified by IFA; then filtration and recycling of the clean-air back to the workshop is allowed in Germany, Austria and in most of the other European countries.

The IFA-certified VANTERM mobile filter unit achieves all the test criteria of the highest filtration level (W3) for the welding fumes.

WELDING FUME CLASS	SEPERATION DEGREE (%)	ALLOWED MATERIALS FOR WELDING
W 1	\geq 95	Unalloyed and low-alloyed steel
W 2	\geq 98	As above and alloyed steel; I.e nickel and chromium content <30%
W 3	\geq 99	As above and high-alloy steel; I.e nickel and chromium content >30%

TECHNICAL SPECIFICATIONS


- For industrial use to capture dust and fumes at welding-shops.

- There are two stage filters in PM-802 unit;

First stage filter is metal mesh filter, made of aluminium and it is washable. Hot and coarse dust particles are filtered at this stage. The class of this filter is G3 acc. to DIN EN 779.

The second stage filter is cartridge filter is made of polyester non-woven with PTFE teflon membrane. They arrest 0.2-2 micron particles with %99,9 efficiency. Dust Class M acc. to DIN EN 60335. Easy maintenance with manual filter cleaning. No need to remove cartridge filter for cleaning. Just clean the filter cartridge with an air-gun through the "Cleaning Cover" of the machine.

- Visual warning light is integrated to control panel for monitoring "the pressure loss on the cartridge filter". The light blinks when it is necessary to clean the cartridge filter.

- Control panel is integrated on the filter unit and it is ready to operate. Just plug and play.

The standard PM-802 voltage is 380/400V; ~3P N PE - 50 Hz.

10m. long power cable is standard for PM-802.

Motor protection switch and warning light for faulty operation of motor are integrated on standard PM-802.

- The dust is collected in the dust tray. Dust tray volume: 12 liter.

- Warning light is integrated for monitoring "the rotation direction of fan impeller". The light blinks when the rotation direction is false.

- Static and dynamic balanced impeller. Sound insulated fan chamber ensures a low sound level ≤ 70 dB (A).

- PM-802 filter unit is used with two extraction arms. The length of the standard arms can be 2m.-3m. or 4m. long. The hood of the arm is made of aluminium to provide a long lifetime.

The flexible hose, used on standard arm, is flame retardant acc. to DIN4102-B1 and made of polyurethane.

Hose color: RAL3000-Red

- Easy to move from one place to another with its rotating wheels. Two of the wheels have brakes to provide high occupational safety

- Electrostatic powder painting. Color: Red (RAL 3000) and white (RAL 7035).

- Different color options are available, on request.

⊗ Ongoing product development may subject our specifications to alteration without notice.