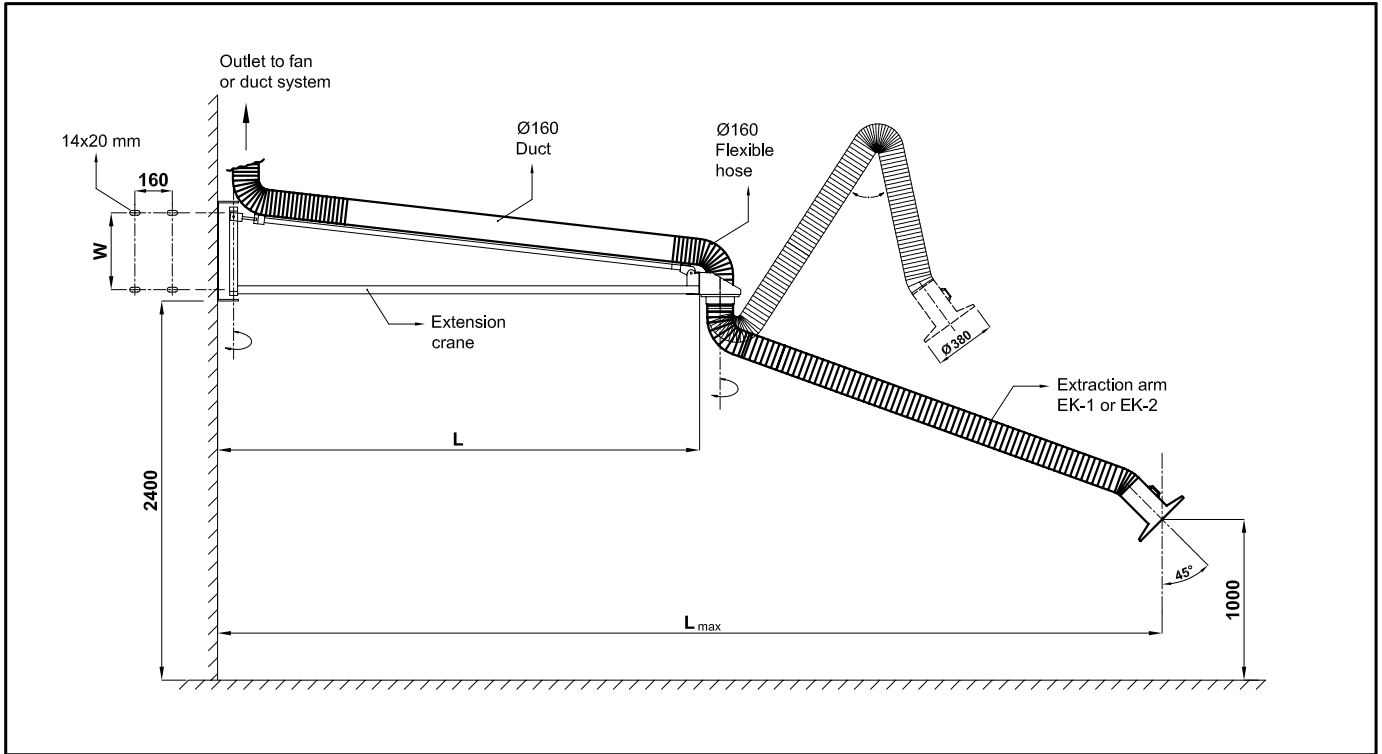


TECHNICAL SPECIFICATIONS



- Extension cranes are used with EK-1 or EK-2 arms in order to lengthen the extraction range of the arms.
- Different type of hose and duct options are available depending on chemical/physical properties of the extracted dust and smoke.

Hose options

- AS Hose: Anti-static hose acc. to DIN 53486 ($R < 10^8$ ohm.)
- AA Hose: Flame retardant hose acc. to DIN 4102B.
- PU Hose: Polyurethane hose, high resistant to abrasion and wear.
- HH Hose: Food proved acc. to FDA, resistant to hydrolysis and microbes.

Duct options

- SS Duct: Duct made of 304 stainless steel.
- ZN Duct: Galvanized steel duct.
- ST Duct: Painted duct made of St-37 steel.
- AL Duct: Aluminium duct.

- The requested flexible hose and duct material are indicated with abbreviations added to the model indication of the extension crane.

Example

KO-103.PU.ZN: Indicates 3 meter long extension crane with 160mm diameter, polyurethane hose and galvanized steel duct.

- The maximum length of the extraction arm with an extension crane is 8 m.

TYPE	L (m)	W (mm)	DIAMETER OF DUCT / HOSE (mm)	CAPACITY (m ³ /h)	WEIGHT * (kg.)
KO - 102	2	420	Ø 160	1000-1200	27
KO - 103	3	520	Ø 160	1000-1200	32
KO - 104	4	520	Ø 160	1000-1200	36

* Weight is given excluding duct, flexible hose and extraction arm.

** Ongoing product development may subject the technical specifications to alteration without notice.