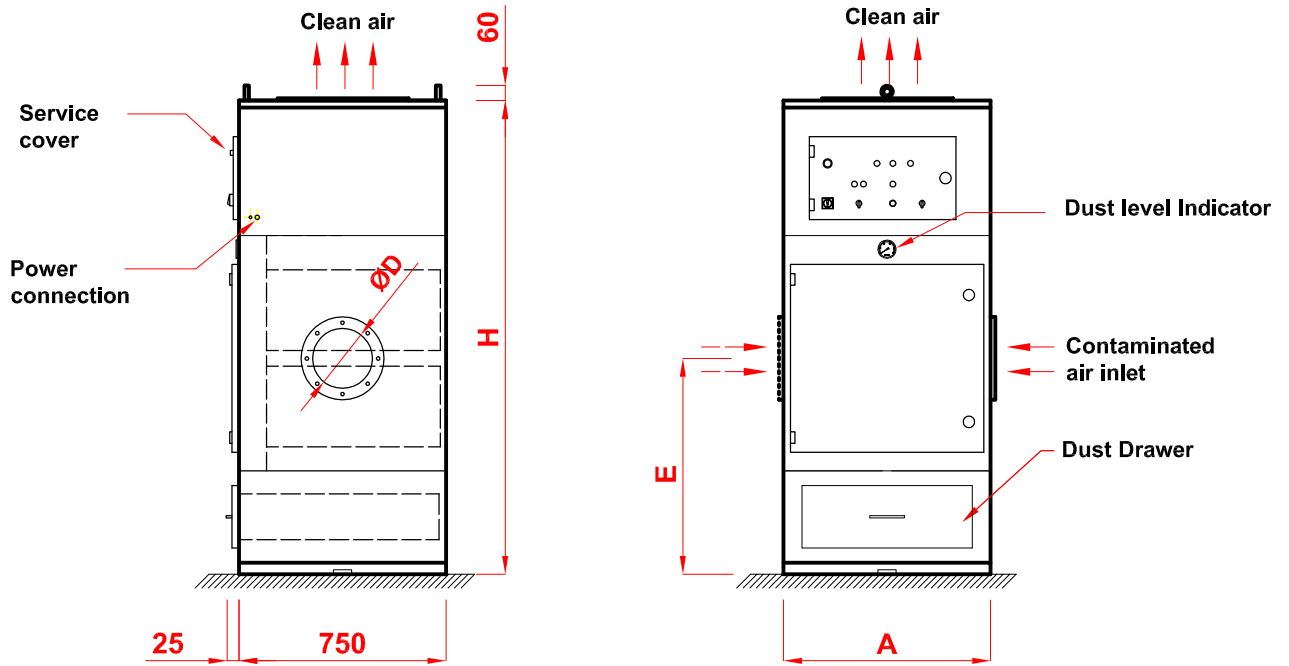
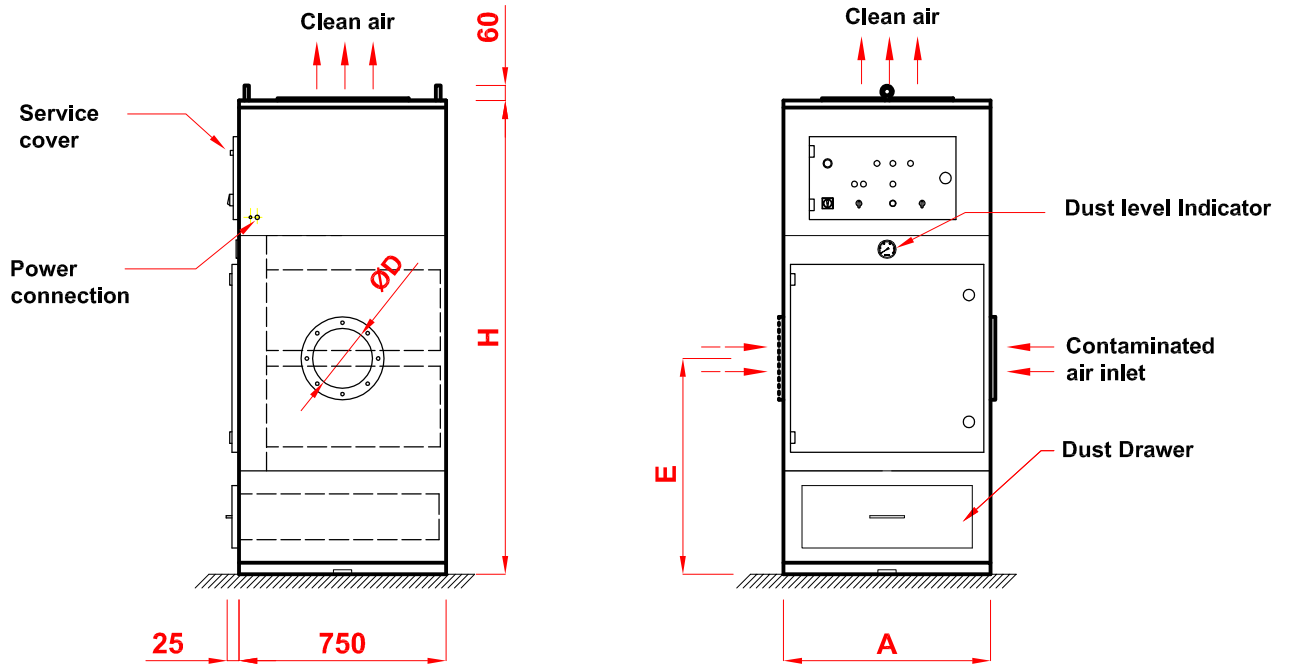


TECHNICAL SPECIFICATIONS**STANDARD SPECIFICATIONS**

- MN-Filter units are fully assembled with its filters, fan and motor and control panel which are ready to operate.
- High efficiency fans, which are made of aluminum are backward curved and directly coupled to the motor.
- Cartridge filters are made of polyester non-woven. They arrest 0.2 - 2 micron particles with %99.9 efficiency. Dust Class M acc. to DIN EN 60335. Cartridge filters have a temperature resistance up to 80 °C.
- Filters are cleaned manually from clean air side with air pistols by the operators without need of any protective gear such glasses or masks etc.. Dust level indicator on the filters constantly measure dirtiness of the filter cartridges which also further indicates the level for the maintenance.
- Control panel (400V ~ 50 Hz) and Dust level indicator of filter elements for operators are standard on MN- filter units.
- High volume dust drawer.
- Low sound levels with sound isolation in Fan Cabin.
- Made of carbon steel with electrostatic painting for indoor applications.
- Right or Left handside contaminated air inlet.

OPTIONS

- Teflon membrane(PTFE) coated cartridge filter elements can be used.(For applications to capture very small and tiny dust particles.)
- Aluminium coated cartridge filter elements can be used for anti-static applications.
- 220-480 V ~ 60 Hz Motor and Control Panel.
- HEPA filter (H13) can be mounted at the clean air outlet.
- Stainless steel filter unit including dust bin and all parts interacting with the respective dust.

TECHNICAL SPECIFICATIONS


TYPE	MN-800	MN-1500	MN-2200	MN-3000
CAPACITY (m ³ /h)	800	1500	2200	3000
FAN PRESSURE (Pa)	2800	2300	2300	2300
MOTOR (kW)	1,1	1,5	2,2	3,0
FILTER SURFACE (m ²)	10	20	30	40
DIMENSIONS A x H - E(mm)	640x1460 - 740	640x1918 - 850	900x1918 - 850	900x1943 - 850
CON. AIR INLET ØD(mm)	125	160	200	250
SOUND LEVEL dB(A)	70	72	72	73
DUST DRAWER VOLUME (Liter)	55	67	67	67
WEIGHT (kg.)	Net ⁽⁰⁾	140	175	206
	Closed Box ⁽¹⁾	94	103	118
	Pallet Nylon ⁽²⁾	26	29	32

⊛ Ongoing product development may subject the technical specifications to alteration without notice.

⁽¹⁾ Packing with closed box made of wood complying with ISPM 15 standards.

⁽²⁾ Packing with nylon stretch over a pallet made of wood complying with ISPM 15 standards.